

- Automatic Synchronisation
- 10 Joules
- IP Rating
- Operating Temperature Range
-20°C to +55°C

Unit Type No. E2xB10EG

Input Voltages: DC Units 24V or 48V
AC Units 120V or 230V

 II 3G EEx nA nL IIC T2 (Tamb. -20°C to +55°C)

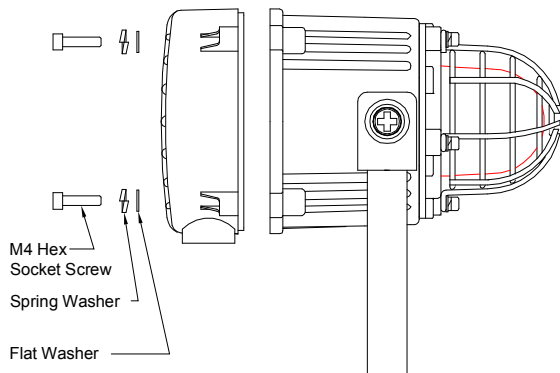
Certificate No. DEMKO 06 ATEX 0421554

Group/Category: II 3G

Zone: Zone 2

INSTALLATION

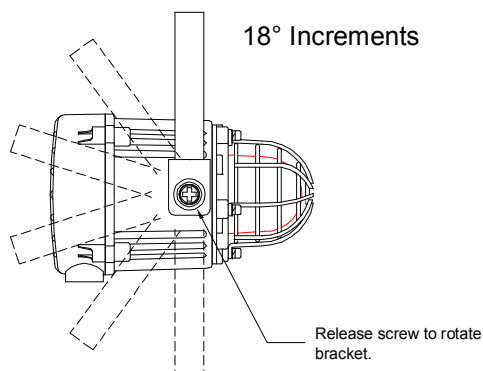
The E2xB10EG beacons must be installed in accordance with the relevant parts of the EN60079 standards or the equivalent IEC standards.



WARNING – DO NOT OPEN WHEN ENERGISED

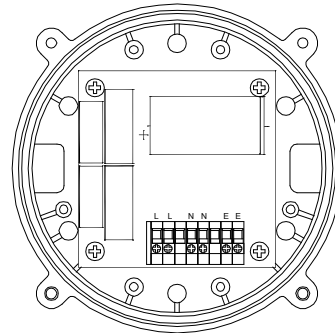
MOUNTING

The E2xB10EG beacon must be mounted using the rotating bracket as shown.

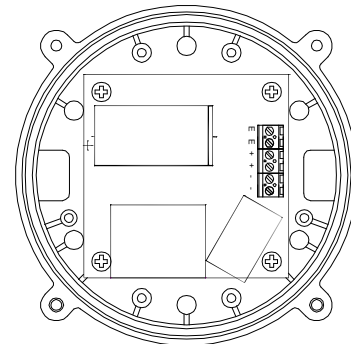


WARNING – TO AVOID A POSSIBLE ELECTROSTATIC CHARGE ONLY CLEAN THE UNIT WITH A DAMP CLOTH

E2xB10EG AC PCB Layout



E2xB10EG DC PCB Layout



WIRING CONNECTIONS

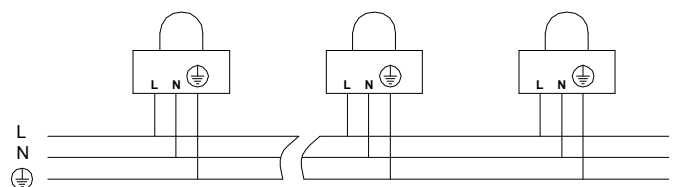
The E2xB10EG beacon has two M20 cable entries one of which is fitted with an M20 blanking plug. This should be removed if two cable entries are required. Cable entry devices shall be used which ensure a minimum ingress protection of IP54.

The cable connections are made to the terminal blocks on the pcb assembly in the enclosure.

WARNING - ALL ELECTRICAL WIRING MUST BE INSTALLED IN ACCORDANCE WITH THE RELEVANT STANDARDS AND ANY LOCAL CODES THAT MAY APPLY

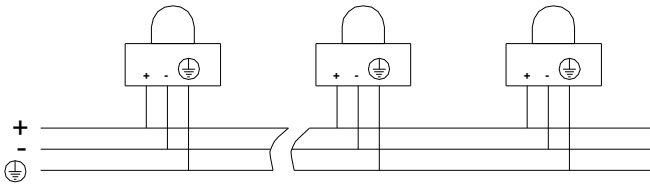
AC BEACONS

Live	L
Neutral	N
Earth	E



DC BEACONS

Positive +
Negative -
Earth E



POWER SUPPLY SELECTION

It is important that a suitable power supply is used to run the beacons. The power supply selected must have the necessary capacity to provide the input current to all of the beacons connected to the system.

Unit Type	Input Voltage	Input Current	Max. I/P Volts
E2xB10EG	24V DC	560mA	30V
E2xB10EG	48V DC	260mA	58V
E2xB10EG	230V AC	107mA	253V
E2xB10EG	120V AC	185mA	132V