

Heat detector with SelfVerify – BD-300

Interactive fire detection systems
Product datasheet

Features

- Interactive
- Plug-in detector head
- Heat detector intended for use in dry areas
- Short circuit isolator in each detector
- Conforms to EMC directive
- Comprises a built-in alarm indicator (LED)
- Automatic addressing
- Proven technology
- Configurable to class A1, A1R, A2S, B, C
- The BD-300 is not influenced by dust, humidity, exhaust gases, or electro-magnetic fields, such as radio transmitters, cellular phones, etc.
- EN 54-5/EN 54-17
- Designed to meet the requirement of the major maritime classification societies

Applications

BD-300 is a point heat detector for detection of rise in ambient temperature caused by a fire. The detector is designed for use with Autronica's interactive fire alarm systems. The SelfVerify function ensures the highest grade of reliability. All units comprising this function are automatically tested with a calibrated test once every 24 hours.

BD-300 is often used in areas where the environment is likely to produce false/unwanted alarms from smoke detectors such as:

- Galleys
- Bathrooms
- Kitchens
- Boiler rooms
- Workshops, etc.

Principle

Temperature measurement by means of a thermistor for registration and reading of temperature at the detector point. Alarm at temperature according to configured class (Ref. table 1).

SelfVerify: The detector's ability to initiate alarm at correct temperature is regularly checked.



Versions

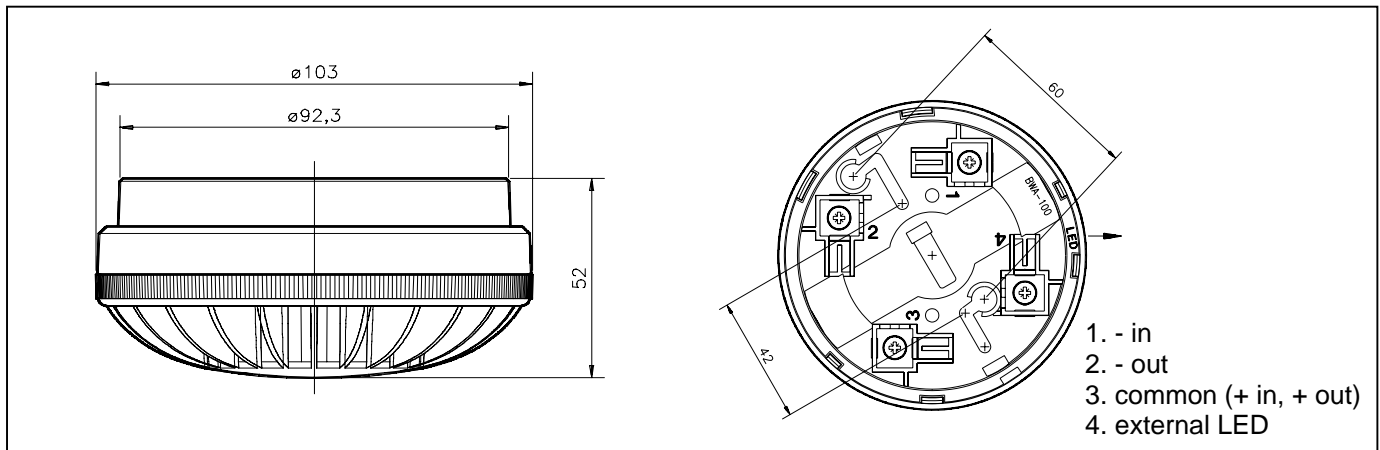
- BD-200* Heat detector without SelfVerify.
- BD-300 Heat detector with SelfVerify.
- BD-500* Heat detector with SelfVerify, environmentally protected.
- BD-500/Ex* Heat detector with SelfVerify, EExia-version for use in all zones.

* See separate data sheet.

| Technical specifications | |
|----------------------------------|-------------------|
| Weight | 140 g |
| Materials | PC/ABS |
| Colour | White |
| Sensitivity | Ref. table 1 |
| Voltage | 10-27 VDC |
| Current consumption Stand by: | < 0,3mA |
| External alarm indicator: | 6mA |
| CPD certificate | 1134-CPD-018 |
| Degree of protection | IP44D |
| Working temperature | -20 - +80°C |
| Storage temperature | -55 - +80°C |
| Max. application | Ref. table 1 |
| Humidity (non condensing) | Max. 95% |
| Maintenance | None |
| Service | Replace if faulty |
| Approvals | See web site |



Dimensions/Connections



Use of LED output

When LED or other equipment is connected to the LED output, a varistor - Siemens SIOVS07K25 (39V) - Autronica part. no. 116-8464-003.5039, is required between terminals 1 and 4 in base.

The LED is connected between terminals 3 and 4, terminal 3 being the positive terminal.

Table 1

| Detector class | Typical application temperature °C | Maximum application temperature °C | Minimum static response temperature °C | Maximum static response temperature °C |
|----------------|------------------------------------|------------------------------------|--|--|
| A1 | 25 | 50 | 54 | 65 |
| A1R* | 5 | 50 | 54 | 65 |
| A2S* | 25 | 50 | 54 | 70 |
| B | 40 | 65 | 69 | 85 |
| C | 55 | 80 | 84 | 100 |

* R= Rate of rise.

* S= (Slow) Does not respond below the minimum static response temperature.

Note: The detector may give prewarning on a temperature below the max. application temperature.

| Part number | Description |
|----------------|--|
| 116-BWA-100 | Detector base |
| 116-BDH-300 | Detector head |
| 116-BWP-100/20 | Optional conduit box for M20 glands |
| 116-BWP-100/25 | Optional conduit box for M25 glands |
| 116-BBR-52 | Optional audible indicator – SmartBuzzer |

AUTRONICA FIRE AND SECURITY AS

Head office, Trondheim, Norway Tel: +47 73 58 25 00, fax: +47 73 58 25 01, e-mail: info@autronicafire.no
 Oil and Gas division, Stavanger, Norway Tel: +47 51 84 09 00, fax: +47 51 84 09 99
 Maritime division, Spikkestad, Norway Tel: +47 31 29 55 00, fax: +47 31 29 55 01

Visit Autronica Fire and Security AS' website: www.autronicafire.com